



## HCK Series

Compact proportional hall effect turning knob for precision linear control applications



## HCK Series Mini joystick



### Features

- Standard delivery time 2-3 weeks
- Single-axis rotary controller
- Shallow profile for low impact design
- Spring return incorporated
- Standard IP67 grade protection above panel
- Easy mounting hardware included

### Applications

- (Outdoor) control panels
- Security systems
- Factory machinery

### Description

This is our only linear operation control knob that is based on contactless hall effect technology. It provides a smooth proportional voltage output for industrial applications that require precision rotary single-axis control. Due to its standard IP67 grade protection, it is ideal for both indoor and outdoor environments and the incorporated spring return ensures reliable dead-man prevention. Included in the package are below panel mounting screws and a 28AWG cable

### Specification

MECHANICAL (X & Y AXIS)	
Angle Of Movement	90° (45° Each Direction)
Expected Cycle Life	5 million
Centering	spring return
Material	glass / mineral filled nylon
Break out Torque	0.01 N (0.13 lbFin)
Max. allowable Torque	5.6 N (50 lbFin)
ELECTRICAL	
Sensor type	hall effect
Resolution	12 bit
Supply voltage	5VDC ± 0.01VDC
Output voltage	see options
Return to Center voltage	± 50 mV
Overvoltage max.	20VDC
Reverse polarity max.	-10VDC

■ Specification

ENVIRONMENTAL	
Operating Temperature	-23°C to 85°C (-10°F to 185°F)
Storage Temperature	-40°C to 85°C (-40°F to 185°F)
IP Sealing Above Panel	IP67
EMC Immunity level	EN61000-4-3 *Compliance to 30A/m
EMC Emissions level	EN61000-6-3
ESD Immunity level	EN61000-4-2 *Compliance to ±15kV/±8kV
Vibration testing	Per SAE J1455 Section 4.9 & MIL-STD810G 514.6
Mechanical shock	Per SAE J1455 Section 4.10 & MIL-STD-202G

\* Extended Testing Levels

**MOLEX 510210400 CONNECTOR**

PIN	Wire colour	Description
1	n/a	n/a
2	yellow	sensor
3	black	ground
4	red	power (+5V)



254mm (10") CABLE PROVIDED

**MATERIALS**

Plastic housing	Mineral & glass filled nylon
Metal housing	Gold anodized aluminium
Boot & actuators	Silicone

IP RATING: IP67 (ABOVE PANEL)

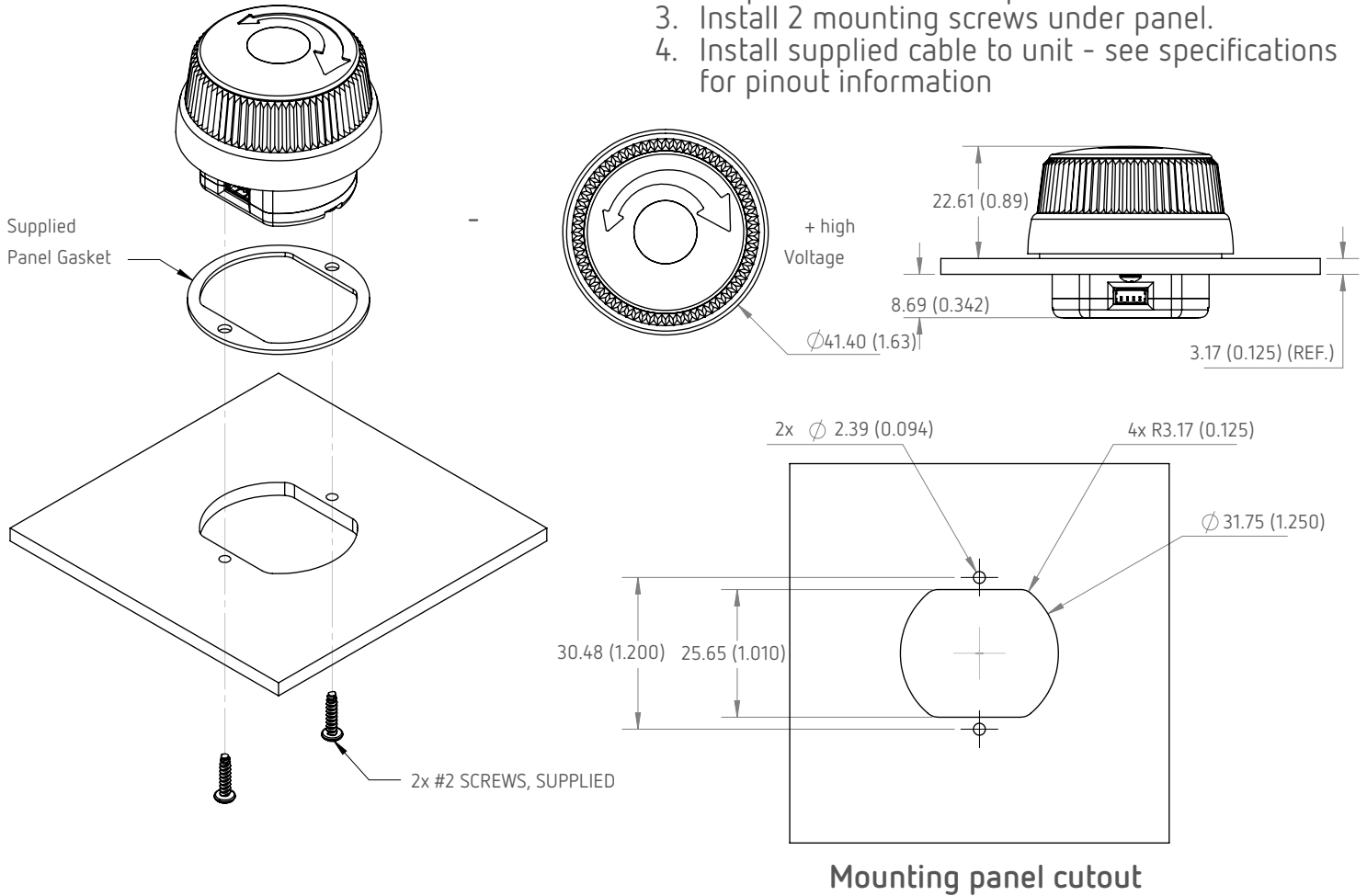


**Mounting Options**

Dimensions in millimeters (inches).

**MOUNTING DIRECTIONS:**

1. Install panel gasket.
2. Drop control knob into panel cutout.
3. Install 2 mounting screws under panel.
4. Install supplied cable to unit - see specifications for pinout information



**DISTRIBUTED BY**



VIA VITTORIO VENETO, 4 I-20094 CORSICO (MI) TEL. +39.02.4519561  
FAX +39.02.45103406 E-MAIL INFO@ELAP.IT SITE WWW.ELAP.IT