



HPS-L



HPS-M



HPS-S

LINEAR WIRE POTENTIOMETERS

Series HPS

- **Linear wire potentiometers with return spring**
- **Measures: from 25 cm to 8 m**
- **Easy mounting**

HPS-S	HPS-M	HPS-L
Strokes: 250, 500, 1000 mm Dimensions: 60x66x81 mm	Strokes: 500, 750, 1000, 1250, 1500, 2000, 3000, 4000 mm Dimensions: 90x80x120 mm	Strokes: 3000, 4000, 5000, 6000, 7000, 8000 mm Dimensions: 162x164x144 mm

MECHANICAL & ENVIRONMENTAL SPECIFICATIONS			
Series	HPS-S	HPS-M	HPS-L
Dimensions	See the drawings		
Weight	< 600 g	< 1000 g	< 3500 g
Materials	Aluminium housing Stainless steel wire SUS 304 with nylon coating		
Wire Ø	0.6 mm	0.7 mm	1.0 mm
Carico di rottura	16 Kg	23 Kg	60 Kg
Max. travel speed	0.5 m/sec	1 m/sec	0.6 m/sec
Starting torque on spring	< 600 g	600 g strokes < 1500 mm 1000 g strokes ≥ 1500 mm	2200 g
Vibration resistance (10÷1500 Hz)	10 g	10 g	10 g
Shock resistance (11 ms)	20 g		
Operating temperature	-20 ÷ 70°C – With analogue output: 0 ÷ 70°C		
Stocking temperature	-20 ÷ 80°C		
Protection degree	IP50	IP64	IP64

ELECTRICAL & OPERATING SPECIFICATIONS			
Series	HPS-S	HPS-M	HPS-L
Strokes mm	250/1000	500/4000	3000/8000
Sensor	Wire-wound and hybrid potentiometer		
Output signals	Resistance 5 KOhm ±10%	Resistance 5 KOhm ±10% Optional: analogue 0÷10V supply 15/30Vdc or 4÷20 mA -supply 15/24Vdc ±20%	
Resolution	Infinita		
Linearity	• ±0.25% FS - With analogue output: ±0.30% FS		
Ripetibility	• ±0.02% FS - With analogue output: ±0.05% FS		
Power rating	1 W strokes ≤ 750 mm – 2 W strokes ≥ 1000 mm		
Connections	Cable 50 cm long	Cable 1 m long	

ORDERING INFORMATION

HPS-M

10

-

TYPE

HPS-S
HPS-M
HPS-L

STROKE

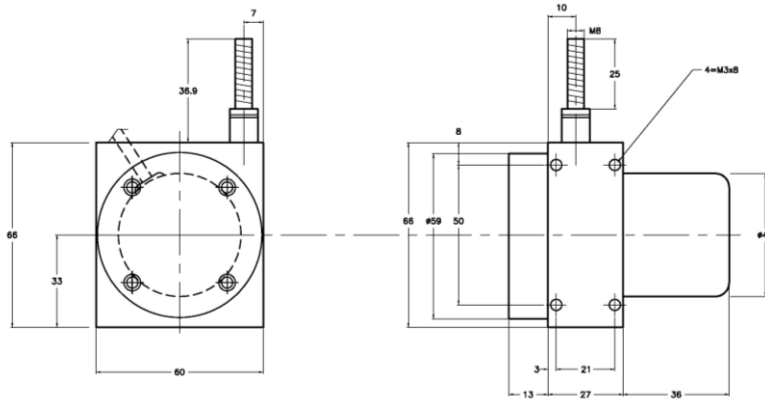
05 500 mm
075 750 mm
10 1000 mm
125 1250 mm
15 1500 mm
20 2000 mm
30 3000 mm
40 4000 mm
50 5000 mm
60 6000 mm
80 8000 mm

OUTPUT SIGNALS

- Resistance 5K
10V: 0~10Vdc (optional, HPS-M and HPS-L only)
420: 4~20mA (optional, HPS-M and HPS-L only)

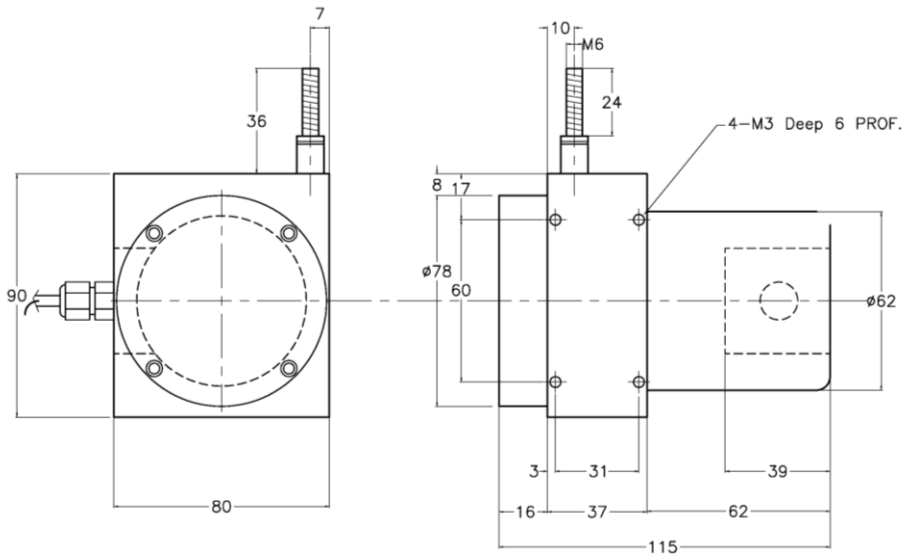
HPS-S

Ref. M1302



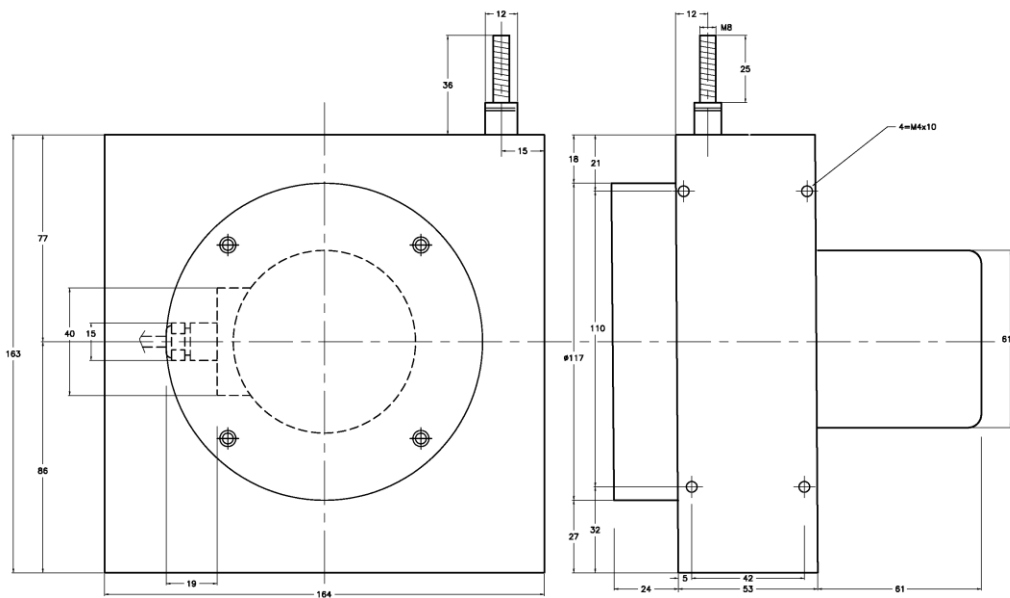
HPS-M

Ref. M2121



HPS-L

Ref. M1301



REFERENCES

Further information at URL: <https://www.elap.it/wire-transducers/wire-potentiometer-hps/>

