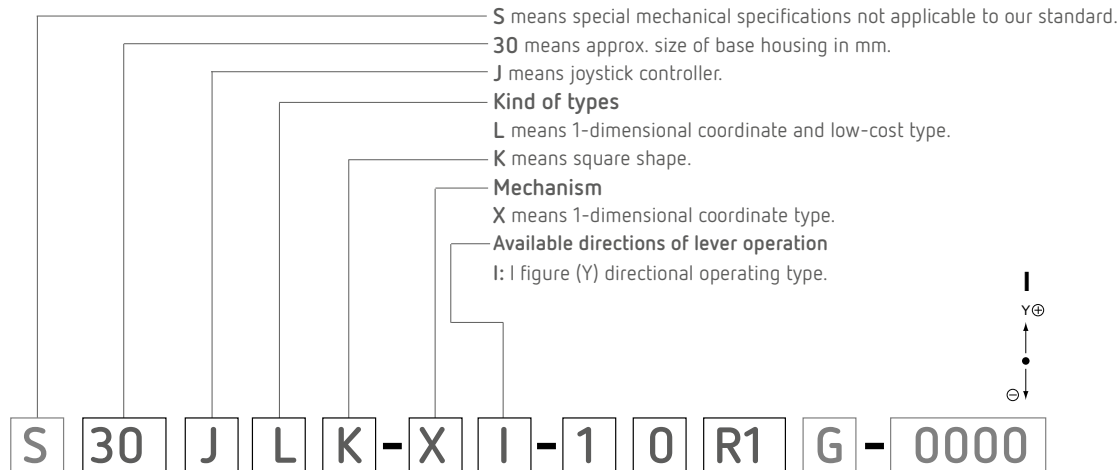




Model 30JL



Number of potentiometers to be incorporated.

- 0 no potentiometer incorporated.
- 1 potentiometer incorporated.

Number of switches to be incorporated.

- 0 no switch incorporated.
- 1 switch incorporated.
- 2 switches incorporated.

With spring return device

- R1 : with spring return device for 1-dimensional coordinate type. (standard option)

Mounting accessories.

- G : means with dust proof rubber cover.
- R : means with round shaped knob.
- H : means with flat shaped knob.
- P : means with sub-panel for mounting.

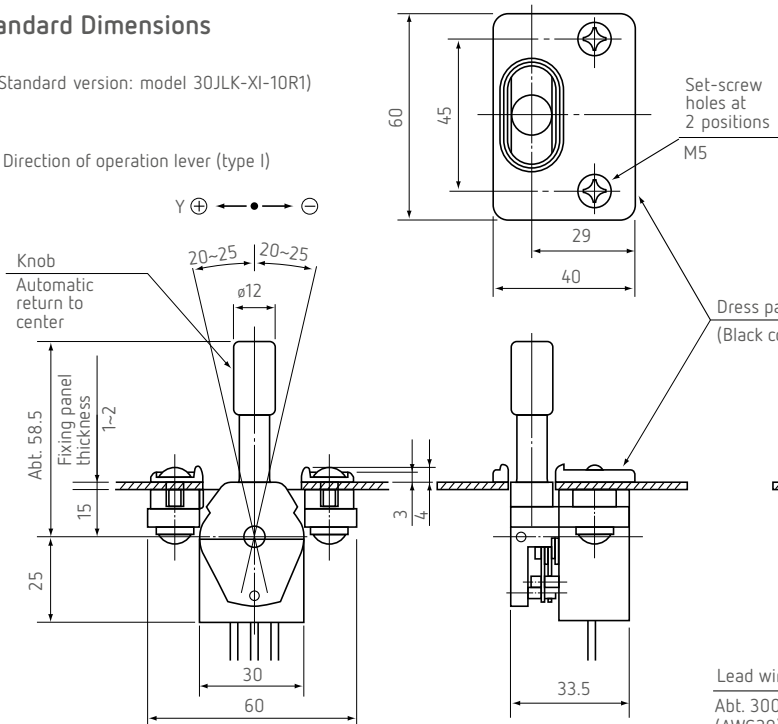
Special part number :

In case we produce customized products, we add 4-digit branch number.

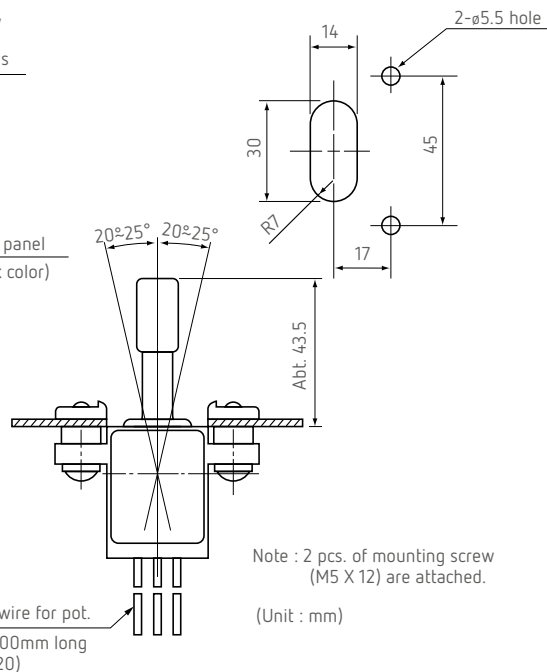
Standard Dimensions

(Standard version: model 30JLK-XI-10R1)

Direction of operation lever (type I)



Panel Arrangements



Standard Specifications

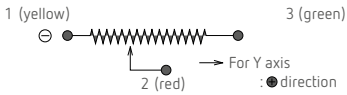
Mechanical Performance

Controlling range of operating lever : $\pm 20^\circ \sim \pm 25^\circ$ from center position.
 Operating force : Standard spring return device : Automatically return to center.
 Standard Approx. 1N~2.5N (Approx. 100gf ~ 250gf).
 With rubber cover: Approx. 1N~5.5N (Approx. 100gf~550gf)
 Operating temperature range : $-20^\circ\text{C} \sim +60^\circ\text{C}$
 Vibration : 10~55Hz 98m/s²
 Shock : 294m/s²
 Life expectancy : Approx. 2,000,000 operations.
 Mass : Approx. 100g

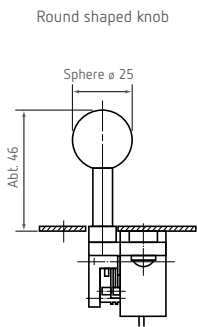
Electrical Performance

Potentiometer mounted : Special conductive plastic resistive element is exclusively used for 30JL series.
 Total resistance value : $10\text{k}\Omega \pm 20\%$
 Independent linearity tolerance : $\pm 5\%$
 Electrical rotating angle : Approx. 40°
 Rated power : 0.1W
 Output smoothness : Below 0.2% against input voltage.
 Contact resistance variation : Below 6% C.R.V.
 Resolution : Essentially infinite
 Dielectric strength : 1 minute at 500V.A.C.
 Insulation resistance : Over 1,000M at 500V.D.C.

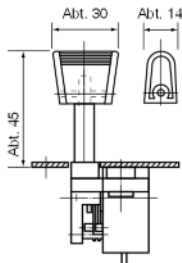
Terminal Connection Diagram



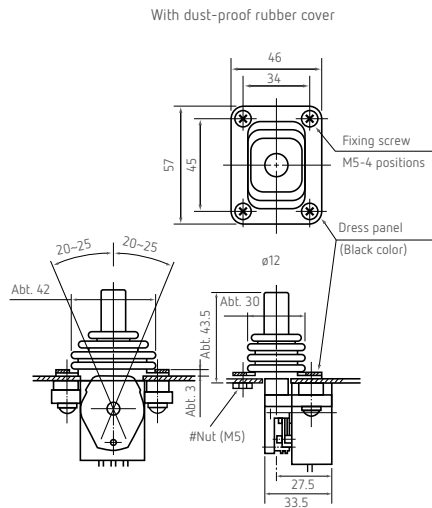
Note: Terminals shall be lead-wire terminals with approx. 300 mm. long. (AWG20)



Flat shaped knob

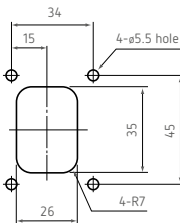


Dimensions of optional version



Note : 1) 4 pcs. of mounting screws (M5 X 12) are attached.
 2) 2 pcs. of the attached nut (M5) "#" use for mounting of the one side.

Panel Arrangements for dust-proof rubber cover type



(Unit : mm)



30JLK-XI-10R1
(standard)



30JLK-XI-10R1R
(with round shaped knob)



30JLK-XI-10R1H
(with flat shaped knob)



30JLK-XI-10R1GR
(with dust proof rubber cover, round shaped)

Note : Sub-panel (P), rubber cover (G), round shaped knob (R) and flat shaped knob shown on the above photos are optional parts.